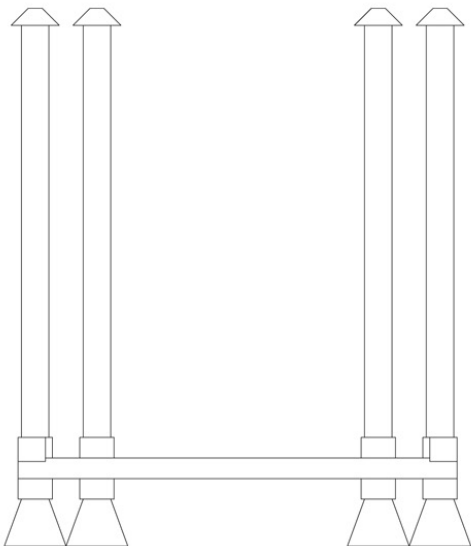
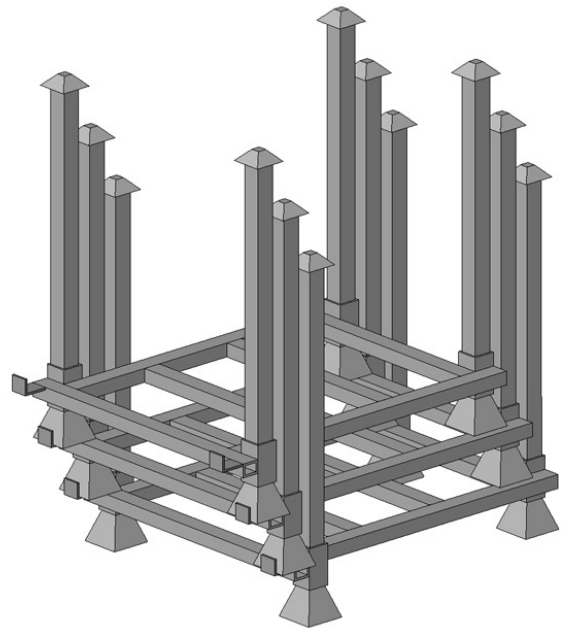
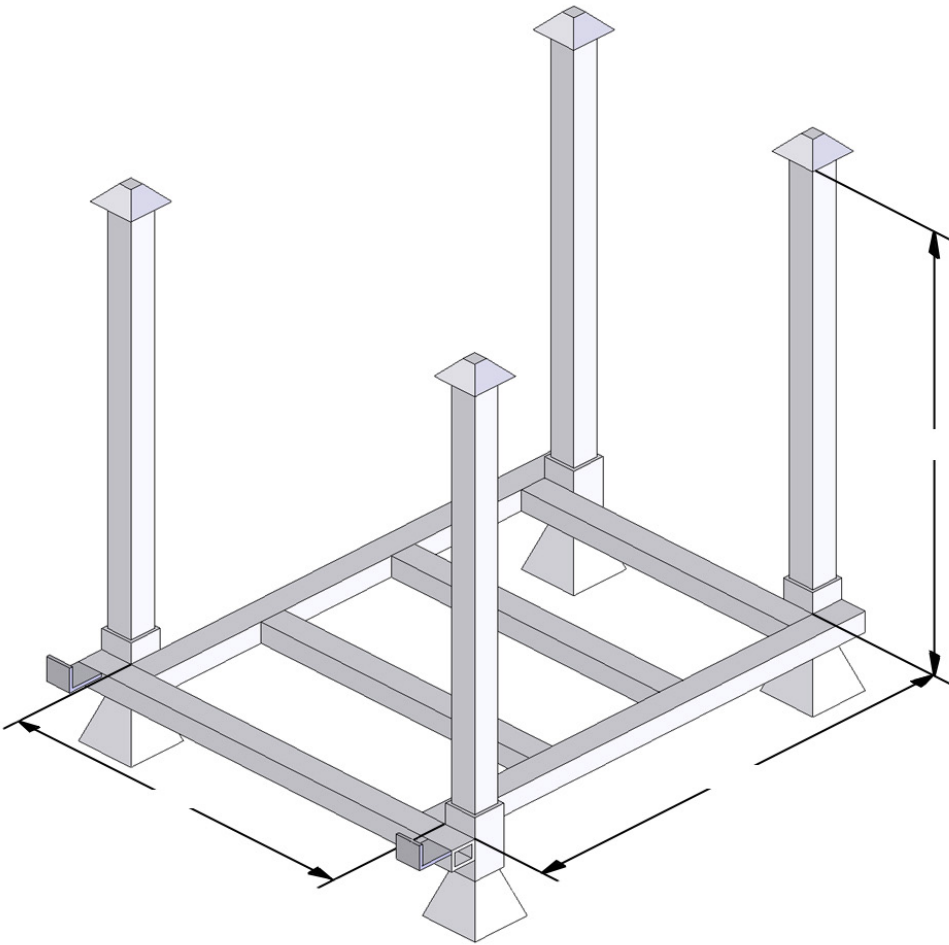
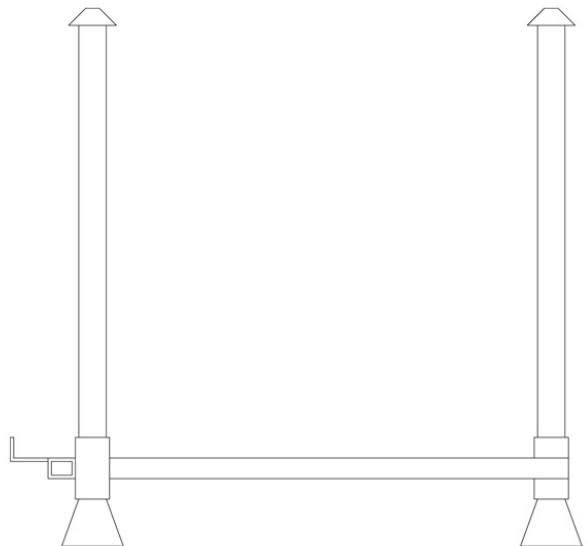


- THE ONLY RACK TO REST AND KNOCK DOWN
- NESTS ASSEMBLED FOR SHORT-TERM STORAGE
- KNOCKS DOWN FOR LONG-TERM STORAGE
- STACKS FOUR TO FIVE HIGH



FRONT ELEVATION



SIDE ELEVATION